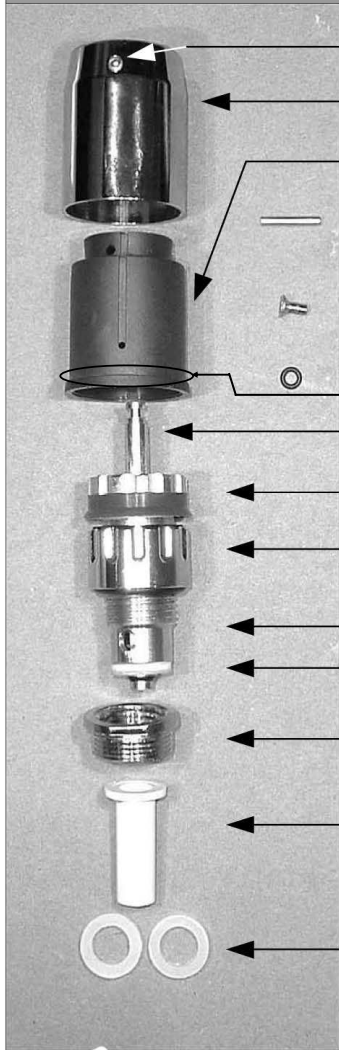


Plush Tap Parts List

Inner Sleeve Details

Plush Tap Fitting Instructions



(1) Top Bonnet Retaining Screw

(2) Top Bonnet

(3) Blue Or Red Inner Sleeve

(4) Retaining Pin

(5 & 6) Timing Screw & Timing
Screw 'O'Ring
(Already Fitted Into Top Of
Inner Sleeve)

Prior to placing top bonnet
onto red/blue insert (stage 12)
ensure 28mm 'O' ring is rolled
to the shoulder at the end of
the insert

(7) Spindle

(8) Top Cap

(9) Lock Nut

(10) Tap Body

(11) Tap Washer

(12) Adaptor Ring
B.S. 5412 To B.S. 1010

(13) False Seat (Top Hat)

(14) Top Hat Distancing Washers

Additional Components Not Shown:
(15) 4mm Allen Key

Reduce
Timing Delay



Increase
Timing Delay



Timing
Screw (5)

Retaining
Pin (4)

Locate top bonnet
retaining screw



Position Retaining
screw (1) here



28mm 'O' ring
fitted on to
coloured insert

- 1 Turn off water supply
- 2 Remove existing tap headgear
- 3 If fitting Plush Tap into a B.S.1010 tap base apply PTFE tape to external thread of adaptor ring (12) and screw into existing tap base.
- 4 Screw the new Plush Tap body into existing tap body. If fitting into a B.S.1010 tap base the false seat (top hat) (13) and top hat distancing washers (14) may be required to "build up" the height of the tap seat.
- 5 Using the top cap (8), tighten the tap body.
- 6 Now firmly tighten down the lock nut (9).
- 7 Turn on the water supply.
- 8 Test for leaks by pushing the spindle (7) up and down.
- 9 Fit inner sleeve (3) onto spindle.
- 10 Press brass pin (4) through locating hole at top side of inner sleeve. Continue to press until pin is located centrally within the inner sleeve and a clear gap is seen at each side of the sleeve. This will secure the inner sleeve onto the spindle. Note: inner sleeve should rotate freely around the spindle.
- 11 Press down top to activate water flow. The duration (delay) for which the tap remains open can be adjusted by turning the timing screw (5) :-
Clockwise to increase the delay
Anti clockwise to reduce the delay

Note the screw adjustment is very sensitive and only needs turning slightly to achieve minor adjustments
- 12 Fit chrome top bonnet (2) over inner sleeve ensuring that the bonnet retaining screw (1) is located directly opposite to the timing screw. Carefully tighten screw using the supplied Allen key (15). Use just enough pressure to ensure that the top bonnet is held onto the inner sleeve. Be careful not to over tighten.